

# Single Distant Signal and Single Home Signal

Please see overleaf for Junction Signals

Signals should normally be positioned on a layout to the left side of an approaching train with the coloured (*red or yellow*) face of the signal arm facing towards the train. 'Distant' signals, those with yellow swallow-tail arms, are usually positioned before 'Home' signals (*red*) and give advance warning to the driver of the setting of the next home signal along the line.

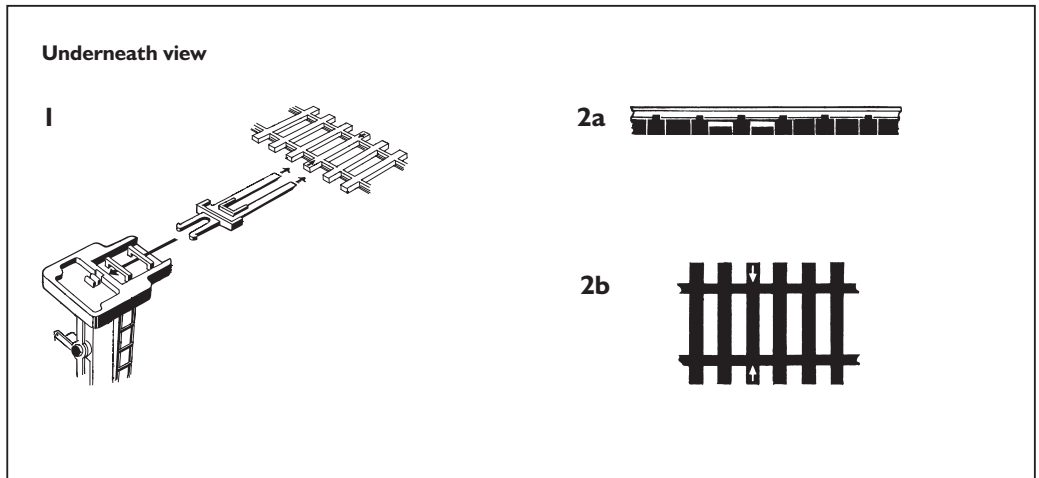
Contents: 1 Signal, 1 Track Clip.

## Track Clip

This is provided to enable the signal to be secured to Hornby track at the correct distance from the rails. It also prevents the signal being knocked over accidentally. Fit the clip to the signal base first (Fig. 1). Twin slots are available in most Hornby track sections to accept the long prongs on the other end of the track clip (Fig.2a). Their position is marked on the underside of track sections by small arrows (Fig.2b).

## Safety Notes

This product is not suitable for children under 3 years because of small parts which can present a choking hazard. Some components have functional sharp points and edges – handle with care. Please retain these details and the address for future reference.



# Junction Distant Signal and Junction Home Signal

Please see overleaf for Single Arm Signals

As their name implies, Junction Signals are used where a track approaches points and are positioned to the left of an approaching train. a 'Distant' Signal (*yellow arms*) gives warning of the setting of a 'Home' Signal (*red arms*). The taller post on each signal indicates the main line and the shorter post the branch line.

Hornby Junction Signals are not suitable for electric remote control operation.

Contents: 1 Junction Signal, 1 Track Clip, 1 Handrail with stanchions.

**Handrail** To assemble the handrail to the walkway, first bend it to line up with the template (Fig.3). Slide the stanchions along the rail so that they are located at the six points marked **X** on the template. If a handrail contains more than six stanchions the excess should be slipped off one end. Push the bottoms of the stanchions into the holes in the upper surface of the walkway (Fig.4).

The walkway can be fitted to either side of the main signal post. To change position lift it slightly so that the 'claws' at the end of the walkway line up with the slots on the signal post (Fig.5) then pull it off and refit to the opposite side. The short signal post can be turned round by pulling it out of its hole in the walkway and refixing it to face in the other direction (Fig.6).

**Safety Notes** This product is not suitable for children under 3 years because of small parts which can present a choking hazard. Some components have functional sharp points and edges – handle with care. Please retain these details and the address for future reference.

