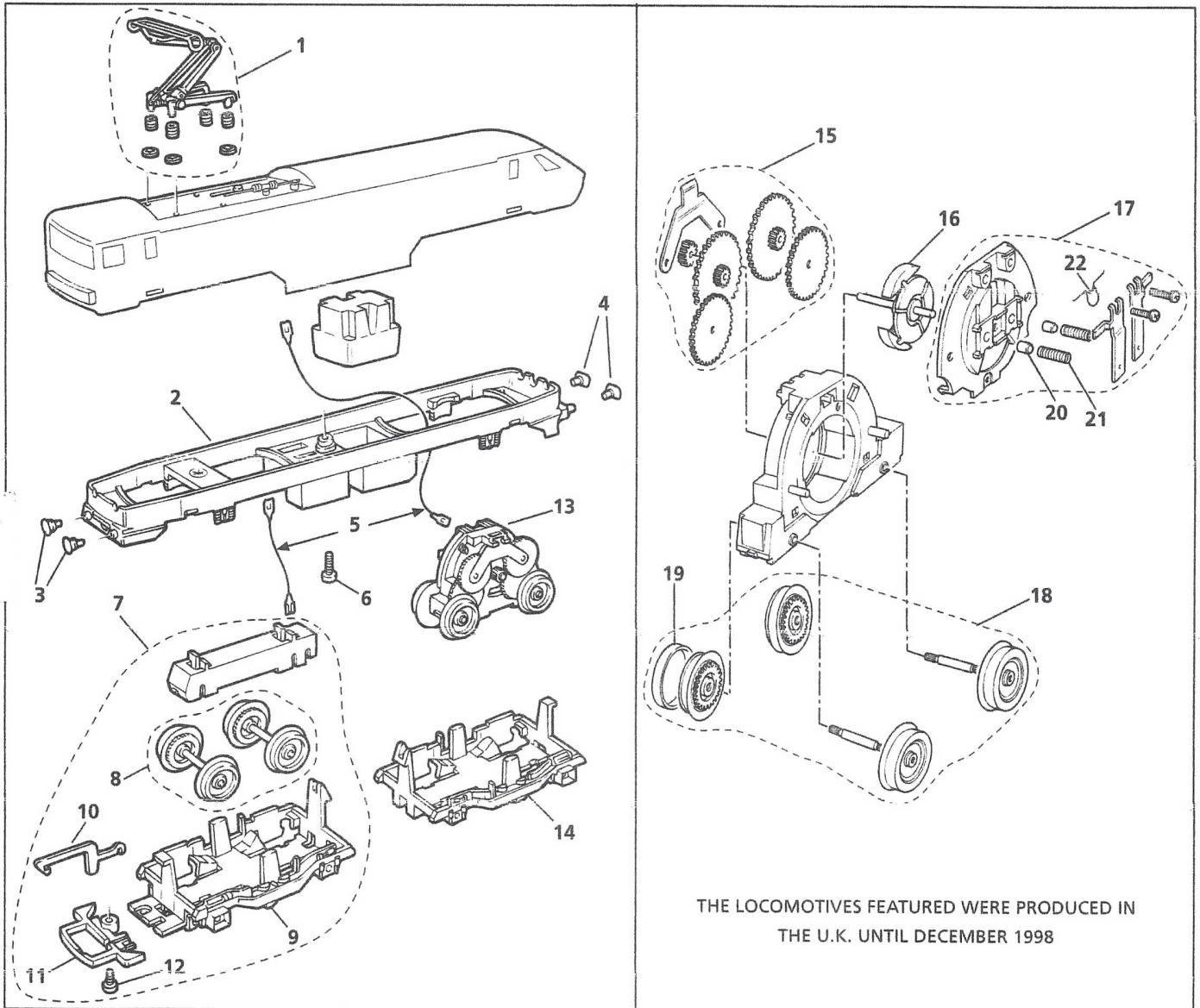


THIS LOCOMOTIVE WAS PRODUCED IN
CHINA FROM JANUARY 1999

LIST OF SPARES

Item No.	Description	Pack	R1012
1	Wire Assembly	1	X8511
2	Underframe	1	N1230
3	Buffers Round Head	10	X8134
4	Buffers Straight Sided	10	X8122
5	Body Screw	10	X8140
6	Drive Unit Complete	1	X8514SK
7	Non Power Bogie Complete	set	X8513
8	Non Power Bogie Wheel/Axle Set	set	X8459
9	Non Power Bogie Frame	1	L6782
10	Coupling Hook	10	X8389
11	Coupling Bar	4	X8292
12	Coupling Screw	10	X8154
13	Power Bogie Frame	1	L6826
14	Ringfield Gear Set	set	X8193
15	Armature	1	X8438
16	Ringfield Cover Plate Set	set	X8733
17	Ringfield Wheel/Axle Set	set	X8194
18	Traction Tyres	10	X8029
19	Ringfield Brush & Spring Pack	10 + 10	X8466
20	Ringfield Spur Gear	10	X8440
21	Dummy Pantograph	4	X8291



THE LOCOMOTIVES FEATURED WERE PRODUCED IN THE U.K. UNTIL DECEMBER 1998

LIST OF SPARES

Item No.	Description	Pack	R269W	R2002	R2069
1	Pantograph Kit	1	—	X8013	X8013
2	Underframe	1	N1230	N1230	N1230
3	Buffers Round Head	10	X8134	X8134	X8134
4	Buffers Straight Sided	10	X8122	X8122	X8122
5	Pantograph Leads	pair	—	X8278	X8278
6	Body Screw	10	X8140	X8140	X8140
7	Non-Power Bogie Complete	set	X3093	no longer available	X3093
8	Non-Power Bogie Wheel / Axle Set	set	X8283	X8283CO	X8283
9	Non-Power Bogie Frame	1	L6782	L6782	L6782
10	Coupling Hook	10	X8389	X8389	X8389
11	Coupling Bar	4	X8292	X8292	X8292
12	Coupling Screw	10	X8154	X8154	X8154
13	Drive Unit Complete	1	X2818	X2818CO	X2818
14	Power Bogie Frame	1	L6826	L6826	L6826
15	Ringfield Gear Set	set	X8193	X8193	X8193
16	Armature	1	X803	X803	X803
17	Ringfield Cover Plate Set	set	X6022	X6022	X6022
18	Ringfield Wheel / Axle Set	set	X8284	no longer available	X8284
19	Traction Tyre	10	X8029	X8029	X8029
20	Carbon Brush	10	X8026	X8026	X8026
21	Brush Spring	10	X8027	X8027	X8027
22	Capacitor	10	X8032	X8032	X8032
not illustrated	Dummy Pantograph	4	X8291	—	—